

## IDENTIFYING THE ORIGINAL STYLE PLUNGER VERSE THE NEW STYLE PLUNGER

Original Jayco Plunger



To identify the older version of the Jayco thief hatch plunger assembly: the lower washer (6") covers the whole vacuum gasket and the aluminum casting is smooth with no guides (shown above).

**Notes:**

Produced July 1986 to Sept 2011

*This plunger assembly is no longer available.*

Order the New Jayco Plunger for a replacement.

However parts for this Original Plunger are available and listed on pages 4 and 5.

Use the following Plunger replacement upgrades

available in two gasket versions  
JT818S FOR SUPREME65 TRIM  
JT818V FOR VITON® TRIM

New Jayco Plunger



Identify the latest Jayco thief hatch plunger assembly by the guides on the aluminum casting and the smaller lower washer (5") which shows more of the vacuum gasket (shown above).

**Notes:**

Produced October 2011 to present

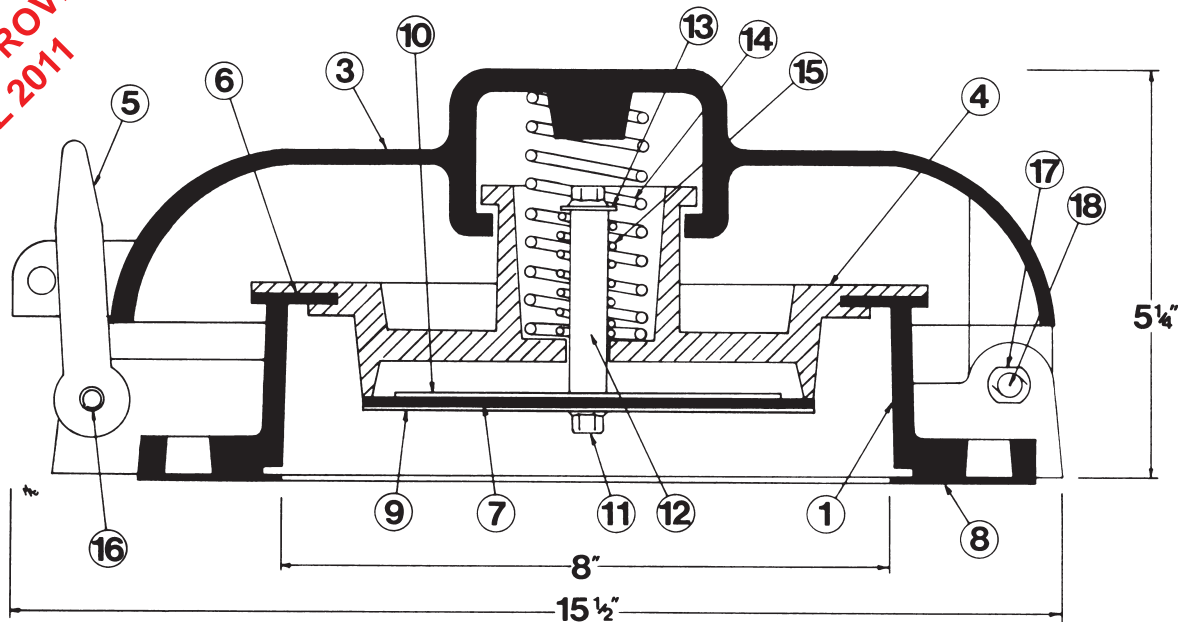
Parts for this Plunger are listed on pages 2 and 3.

available in two gasket versions  
JT818S FOR SUPREME65 TRIM  
JT818V FOR VITON® TRIM

THE NEW ASSEMBLY CAN BE INSTALLED TO ENHANCE  
PREEXISTING JAYCO HATCHES AND IS  
INCLUDED IN ALL NEW JT-8.1 AND JT-20.1 HATCHES

Viton® is a registered trademark of DuPont Dow Elastomers

**NEW & IMPROVED  
FALL 2011**



### Parts List for Jayco JT-8.1 Thief Hatch

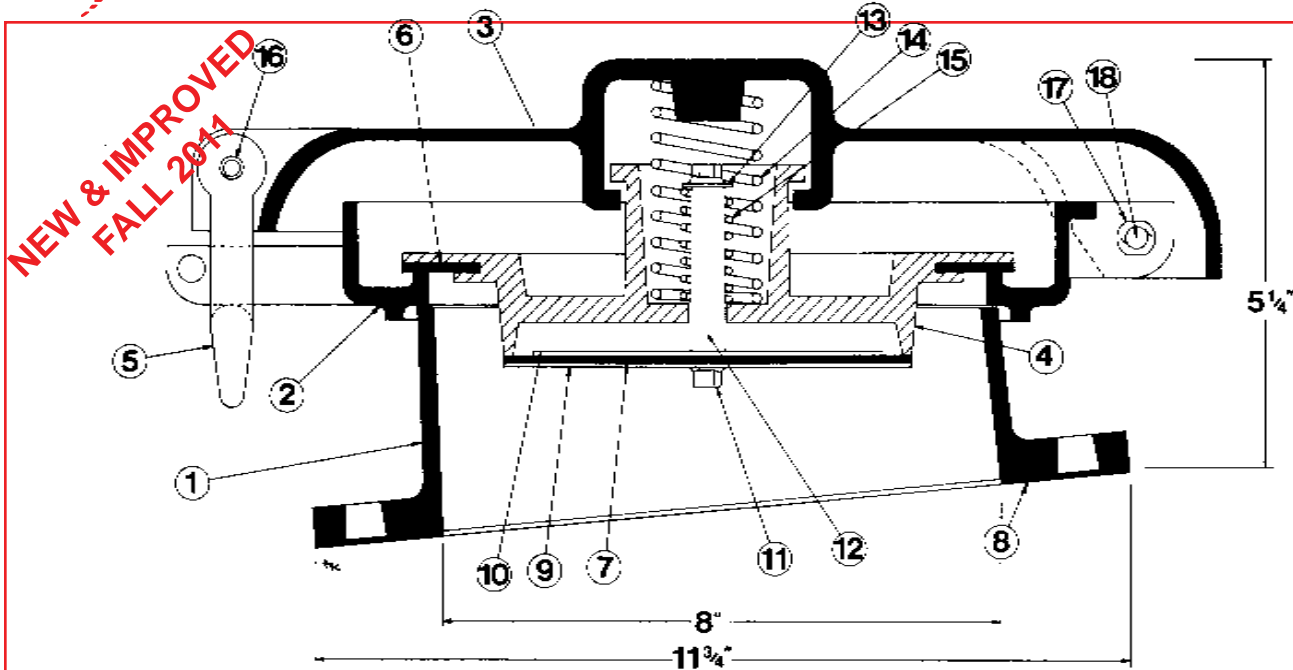
①	Base .....	JT8172 .....	Aluminum
③	Lid.....	JT18176 .....	Aluminum
④	Pressure/Vacuum Valve Complete .....	JT1818S .....	Aluminum
⑤	Latch.....	JT8205 .....	Aluminum
** ⑥	Pressure Gasket.....	JT1815S .....	Supreme65
	Pressure Gasket (Sour Service).....	JT1815V .....	Viton®
** ⑦	Vacuum Gasket .....	JT1820S .....	Supreme65
	Vacuum Gasket (Sour Service) .....	JT1820V .....	Viton®
⑧	Base Gasket.....	JT1810S .....	Supreme65
	Base Gasket (Sour Service).....	JT1810V .....	Viton®
⑨	Washer (Lower) .....	JT1865 .....	Aluminum
⑩	Washer (Upper) .....	JT0860 .....	Aluminum
⑪	Screw HHTL 1/4-20 x 3/4 .....	JT0871 .....	Stainless
⑫	Stem 1/2 x 2 1/2 .....	JT0850 .....	Aluminum
⑬	Washer 1/4 .....	JT0855 .....	Plated or Stainless
⑭	Spring, Pressure 4 oz (Plain) (Standard).....	JT0835 .....	Stainless
	2 oz (Black).....	JT0830 .....	Stainless
	6 oz (Cream).....	JT0837 .....	Stainless
	8 oz (Orange) .....	JT0838 .....	Stainless
	12 oz (White) .....	JT0846 .....	Stainless
	16 oz (Blue) .....	JT0847 .....	Stainless
** ⑮	Spring, Vacuum .....	JT0825 .....	Stainless
⑯	Latch Roll Pin .....	JV0130 .....	Zinc Plated
⑰	Push Nut, 1/4.....	JT0887 .....	
⑱	Hinge Pin (Short).....	JT0875 .....	Galvanized
	Bolt, Top Assembly HHWL.....	JT0857 .....	Zinc Plated
	Washer, Internal Lock, Bottom .....	JT0872 .....	Stainless

IN KEEPING WITH, AND FOR THE PURPOSE OF PRODUCT IMPROVEMENT, JAYCO RESERVES THE RIGHT TO MAKE DESIGN CHANGES WITHOUT PRIOR NOTICE.

\*\* Repair Kit

Viton® is a registered trademark of DuPont Dow Elastomers

Bulletin Number 1015 12



### Parts List for Jayco JT-20.1 Thief Hatch

① Base .....	JT2035 .....	Aluminum
② Long Pan .....	JT2045 .....	Aluminum
③ Lid .....	JT2055 .....	Aluminum
④ Pressure/Vacuum Valve Complete .....	JT1818S .....	Aluminum
⑤ Latch .....	JT8205 .....	Aluminum
** ⑥ Pressure Gasket .....	JT1815S .....	Supreme65
Pressure Gasket (Sour Service) .....	JT1815V .....	Viton®
** ⑦ Vacuum Gasket .....	JT1820S .....	Supreme65
Vacuum Gasket (Sour Service) .....	JT1820V .....	Viton®
⑧ Base Gasket .....	JT1810S .....	Supreme65
Base Gasket (Sour Service) .....	JT1810V .....	Viton®
⑨ Washer (Lower) .....	JT1865 .....	Aluminum
⑩ Washer (Upper) .....	JT0860 .....	Aluminum
⑪ Screw HHTL 1/4-20 x 3/4 .....	JT0871 .....	Stainless
⑫ Stem 1/2 x 2 1/2 .....	JT0850 .....	Aluminum
⑬ Washer 1/4 .....	JT0855 .....	Plated
⑭ Spring, Pressure 4 oz (Plain) (Standard) .....	JT0835 .....	Stainless
2 oz (Black) .....	JT0830 .....	Stainless
6 oz (Cream) .....	JT0837 .....	Stainless
8 oz (Orange) .....	JT0838 .....	Stainless
12 oz (White) .....	JT0846 .....	Stainless
16 oz (Blue) .....	JT0847 .....	Stainless
** ⑮ Spring, Vacuum .....	JT0825 .....	Stainless
⑯ Latch Roll Pin .....	JV0130 .....	Zinc Plated
⑰ Push Nut, 1/4 .....	JT0887 .....	
⑱ Hinge Pin (Long) .....	JT0885 .....	Galvanized
Bolt, Top Assembly HHWL .....	JT0857 .....	Zinc Plated
Washer, Internal Lock, Bottom .....	JT0872 .....	Stainless

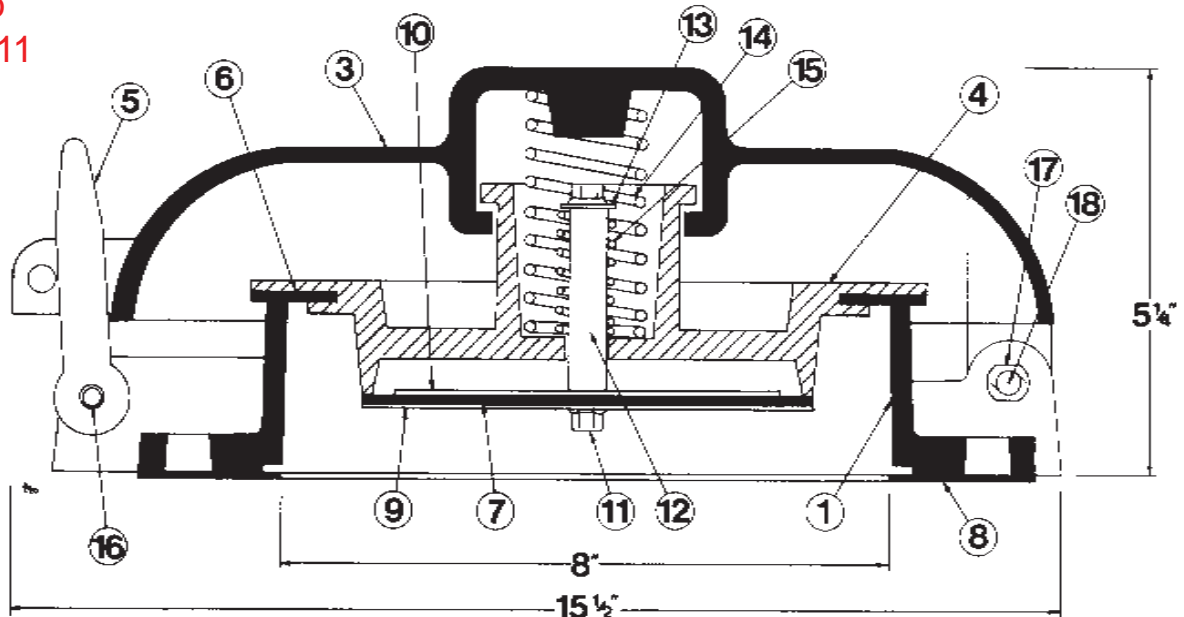
IN KEEPING WITH, AND FOR THE PURPOSE OF PRODUCT IMPROVEMENT, JAYCO RESERVES THE RIGHT TO MAKE DESIGN CHANGES WITHOUT PRIOR NOTICE.

\*\* Repair Kit

Viton® is a registered trademark of DuPont Dow Elastomers

Bulletin Number 1017 12

Prior to  
Oct 2011



### Parts List for Jayco JT-8 Thief Hatch

①	Base .....	JT8172.....	Aluminum
③	Lid.....	JT8176.....	Aluminum
④	Pressure/Vacuum Valve Complete .....	JT8180.....	Aluminum
⑤	Latch.....	JT8205.....	Aluminum
** ⑥	Pressure Gasket.....	JT0815.....	Supreme65
	Pressure Gasket (Sour Service).....	JT0817.....	Viton®
** ⑦	Vacuum Gasket .....	JT0820.....	Supreme65
	Vacuum Gasket (Sour Service) .....	JT0822.....	Viton®
⑧	Base Gasket.....	JT1810S.....	Supreme65
	Base Gasket (Sour Service).....	JT1810V.....	Viton®
⑨	Washer (Lower).....	JT0865.....	Aluminum
⑩	Washer (Upper).....	JT0860.....	Aluminum
⑪	Screw HHTL 1/4-20 x 3/4 .....	JT0871.....	Stainless
⑫	Stem 1/2 x 2 1/2 .....	JT0850.....	Aluminum
⑬	Washer 1/4 .....	JT0855.....	Plated or Stainless
⑭	Spring, Pressure 4 oz (Plain) (Standard).....	JT0835.....	Stainless
	2 oz (Black).....	JT0830.....	Stainless
	6 oz (Cream).....	JT0837.....	Stainless
	8 oz (Orange) .....	JT0838.....	Stainless
	12 oz (White).....	JT0846.....	Stainless
	16 oz (Blue) .....	JT0847.....	Stainless
** ⑮	Spring, Vacuum .....	JT0825.....	Stainless
⑯	Latch Roll Pin .....	JV0130.....	Zinc Plated
⑰	Push Nut, 1/4.....	JT0887.....	
⑱	Hinge Pin (Short).....	JT0875.....	Galvanized
	Bolt, Top Assembly HHWL.....	JT0857.....	Zinc Plated
	Washer, Internal Lock, Bottom .....	JT0872.....	Stainless

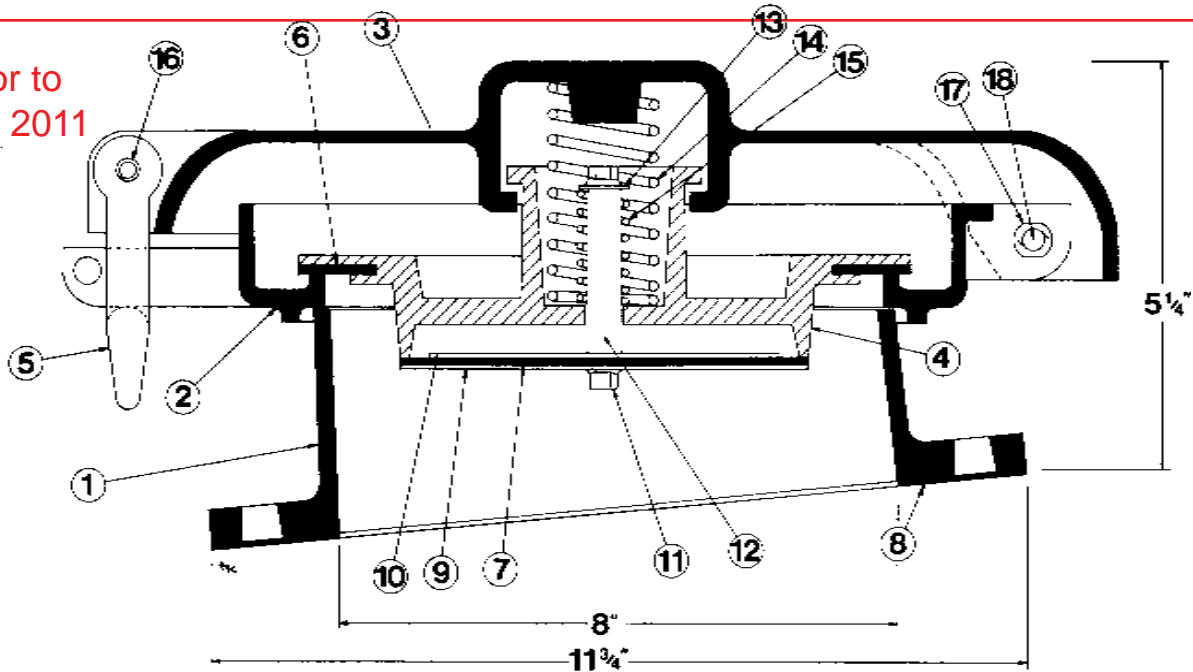
IN KEEPING WITH, AND FOR THE PURPOSE OF PRODUCT IMPROVEMENT, JAYCO RESERVES THE RIGHT TO MAKE DESIGN CHANGES WITHOUT PRIOR NOTICE.

\*\* Repair Kit

Viton® is a registered trademark of DuPont Dow Elastomers

Bulletin Number 1015 11a

Prior to  
Oct 2011



### Parts List for Jayco JT-20 Thief Hatch

①	Base .....	JT2035 .....	Aluminum
②	Long Pan .....	JT2045 .....	Aluminum
③	Lid .....	JT2055 .....	Aluminum
④	Pressure/Vacuum Valve Complete .....	JT8180 .....	Aluminum
⑤	Latch .....	JT8205 .....	Aluminum
** ⑥	Pressure Gasket .....	JT0815 .....	Supreme65
	Pressure Gasket (Sour Service) .....	JT0817 .....	Viton®
** ⑦	Vacuum Gasket .....	JT0820 .....	Supreme65
	Vacuum Gasket (Sour Service) .....	JT0822 .....	Viton®
⑧	Base Gasket .....	JT1810S .....	Supreme65
	Base Gasket (Sour Service) .....	JT1810V .....	Viton®
⑨	Washer (Lower) .....	JT0865 .....	Aluminum
⑩	Washer (Upper) .....	JT0860 .....	Aluminum
⑪	Screw HHTL 1/4-20 x 3/4 .....	JT0871 .....	Stainless
⑫	Stem 1/2 x 2 1/2 .....	JT0850 .....	Aluminum
⑬	Washer 1/4 .....	JT0855 .....	Plated
⑭	Spring, Pressure 4 oz (Plain) (Standard) .....	JT0835 .....	Stainless
	2 oz (Black) .....	JT0830 .....	Stainless
	6 oz (Cream) .....	JT0837 .....	Stainless
	8 oz (Orange) .....	JT0838 .....	Stainless
	12 oz (White) .....	JT0846 .....	Stainless
	16 oz (Blue) .....	JT0847 .....	Stainless
** ⑮	Spring, Vacuum .....	JT0825 .....	Stainless
⑯	Latch Roll Pin .....	JV0130 .....	Zinc Plated
⑰	Push Nut, 1/4 .....	JT0887 .....	
⑱	Hinge Pin (Long) .....	JT0885 .....	Galvanized
	Bolt, Top Assembly HHWL .....	JT0857 .....	Zinc Plated
	Washer, Internal Lock, Bottom .....	JT0872 .....	Stainless

IN KEEPING WITH, AND FOR THE PURPOSE OF PRODUCT IMPROVEMENT, JAYCO RESERVES THE RIGHT TO MAKE DESIGN CHANGES WITHOUT PRIOR NOTICE.

\*\* Repair Kit

Viton® is a registered trademark of DuPont Dow Elastomers

Bulletin Number 1017 11a